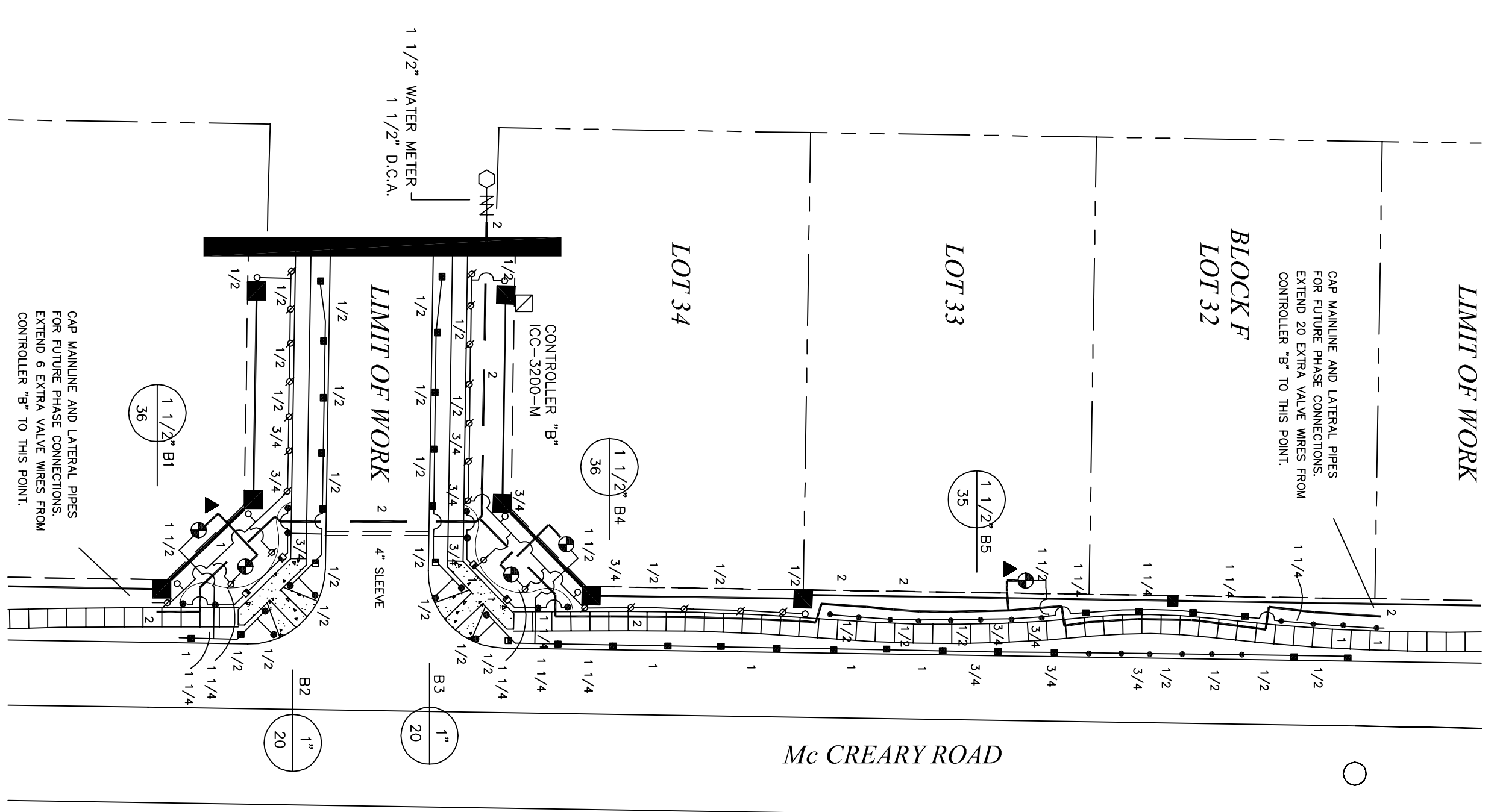
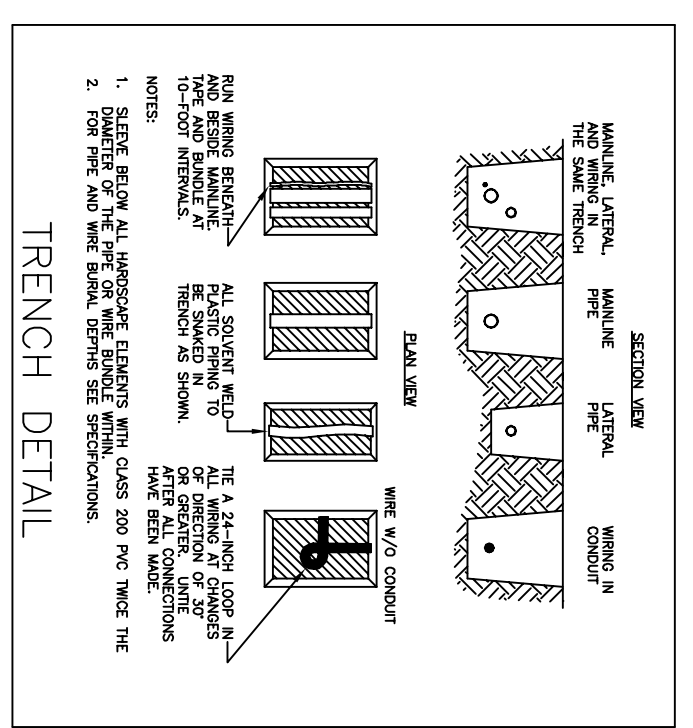
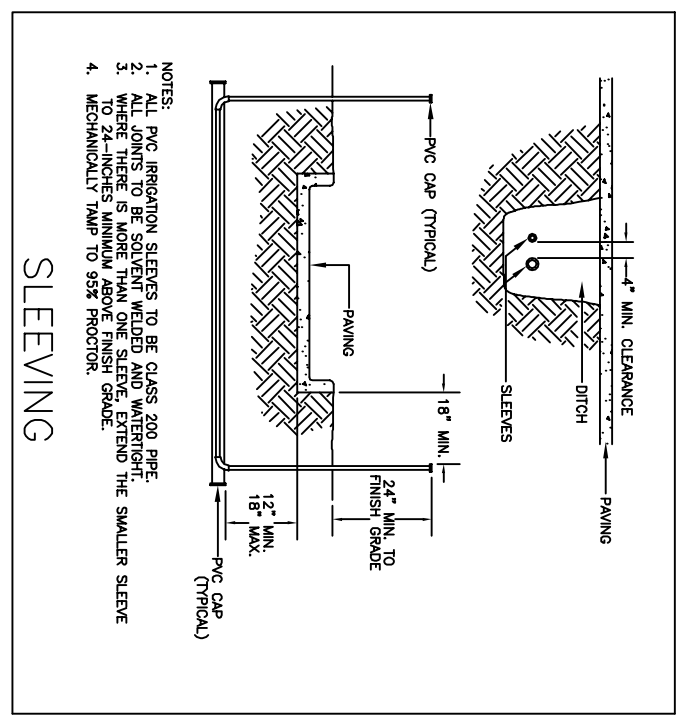
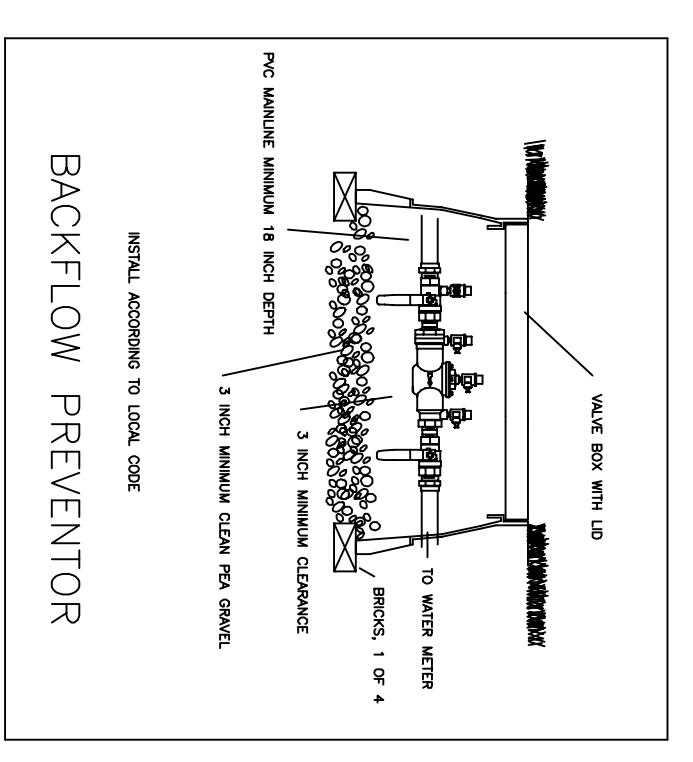
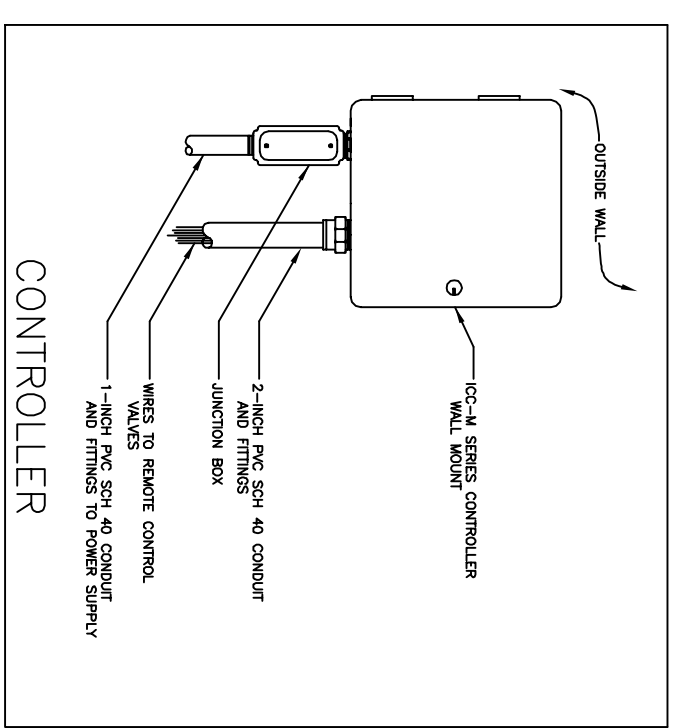
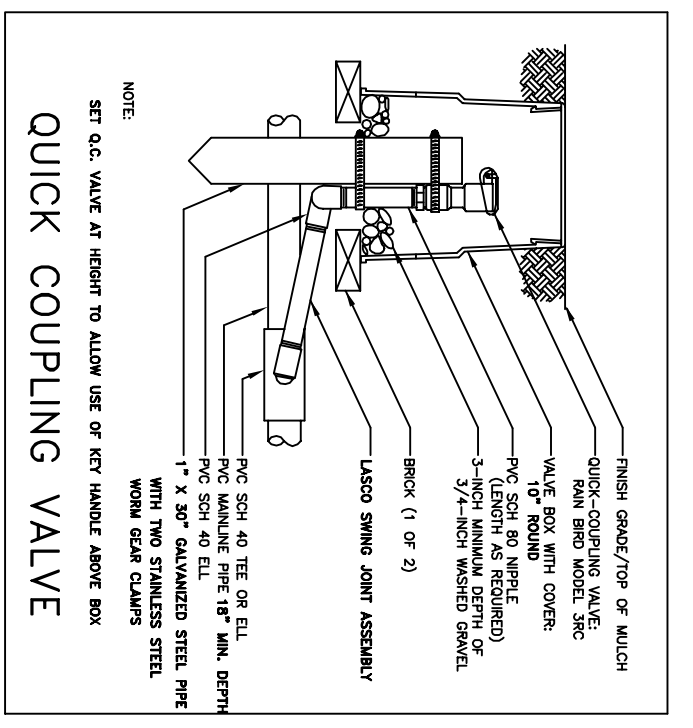
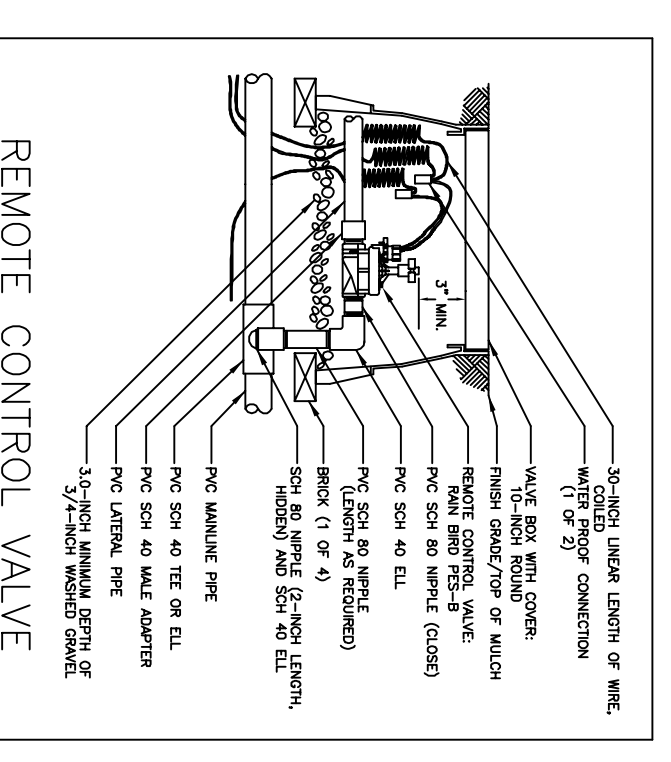
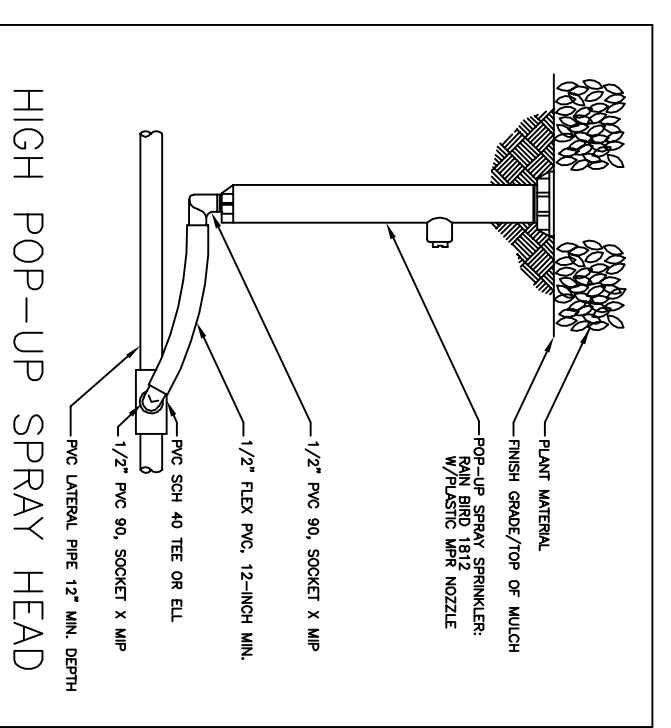
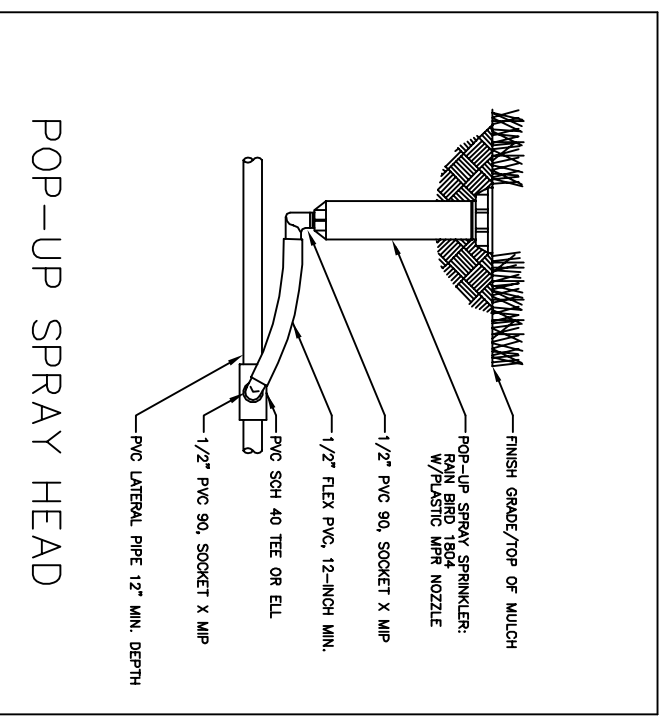


**A** BETSY LANE IRRIGATION PLAN  
SCALE: 1"=30'-0"



**B** McCREARY ROAD IRRIGATION PLAN  
SCALE: 1"=30'-0"



**INSTALLATION NOTES**

- COORDINATE IRRIGATION INSTALLATION WITH PLANTING PLAN AND SITE CONDITIONS TO PROVIDE COMPLETE COVERAGE WITH MINIMUM OVERSPRAY. THE IRRIGATION CONTRACTOR SHALL MAKE MINOR ADJUSTMENTS TO ENSURE PROPER COVERAGE AT NO ADDITIONAL COST TO THE OWNER.
- CONFIRM STATIC WATER PRESSURE OF 60 PSI AT LEAST 7 DAYS BEFORE BEGINNING WORK. IF STATIC WATER PRESSURE IS LESS THAN STATED ABOVE, DO NOT PROCEED UNTIL DIRECTED SO BY THE LANDSCAPE ARCH.
- THE IRRIGATION CONTRACTOR WILL SECURE ALL REQUIRED PERMITS AND PAY ALL ASSOCIATED FEES UNLESS OTHERWISE NOTED. ALL LOCAL CODES SHALL PREVAIL OVER ANY DISCREPANCIES HEREIN.
- LATERAL PIPE SHALL BE INSTALLED AT A MINIMUM DEPTH OF 12 INCHES. MAINLINE PIPE AND WIRES SHALL BE INSTALLED AT A MINIMUM DEPTH OF 18 INCHES.
- UNSELECTED PIPES MAY BE SHOWN UNDER PAVEMENT FOR GRAPHIC CLARITY ONLY. INSTALL THESE PIPES IN ADJACENT LANDSCAPED AREAS.
- ELECTRIC POWER SHALL BE PROVIDED WITHIN FIVE FEET OF CONTROLLER LOCATION BY GENERAL CONTRACTOR. I.L.C. TO PROVIDE FINAL HARD-WIRE TO CONTROLLER.
- 24 VOLT VALVE WIRE SHALL BE A MINIMUM OF #14 GAUGE. U.F. APPROVED FOR DIRECT BURIAL, SINGLE CONDUCTOR "IRRIGATION WIRE". WIRE SPLICES SHALL BE ENCASED IN A WATERPROOF COMPOUND OR GEL. ALL FIELD SPLICES SHALL BE LOCATED IN A ROUND VALVE BOX OF SUFFICIENT SIZE TO ALLOW INSPECTION.
- VALVE BOXES SHALL BE INSTALLED FLUSH WITH GRADE, SUPPORTED BY BRICKS IF NEEDED, WITH 3 INCHES OF CLEAN PEA GRAVEL LOCATED BELOW THE VALVE. USE 10" ROUND VALVE BOXES FOR ELECTRICAL VALVES AND QUICK COUPLING VALVES UNLESS NOTED OTHERWISE. D.C.A.'S SHALL BE BOXED ACCORDING TO LOCAL CODES.
- USE LASCO O-RING SWING JOINT ASSEMBLIES TO CONNECT ALL ROTARY HEADS AND QUICK COUPLERS.
- ALL SPRAY HEADS SHALL BE CONNECTED WITH A 1/2" MINIMUM LENGTH OF 1/2" FLEX PVC. THE FLEX PVC SHALL BE SOLVENT WELDED TO SCHEDULE 40 PVC FITTINGS WITH WELD-ON #795 SOLVENT AND #P-70 PRIMER.
- PROVIDE FOUR QUICK COUPLER KEYS WITH SWIVEL HOSE ELLS.
- CONTRACTOR IS TO CONTACT APPROPRIATE AUTHORITIES AND LOCATE ALL UTILITIES PRIOR TO CONSTRUCTION.

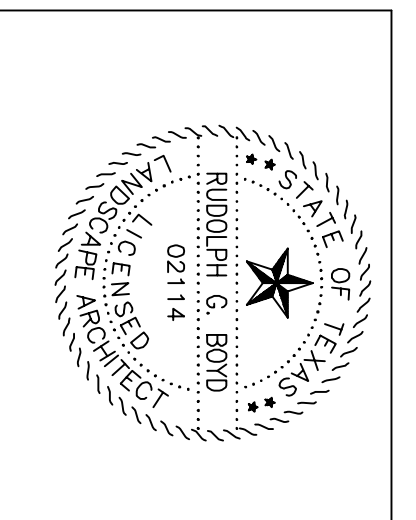
**LEGEND**

- RAINBIRD #1804 POP UP SPRAY HEAD WITH 4"-EST MPR NOZZLE
- RAINBIRD #1804 POP UP SPRAY HEAD WITH 8" MPR NOZZLE UNLESS NOTED OTHERWISE.
- RAINBIRD #1804 POP UP SPRAY HEAD WITH MPR SERIES NOZZLE AS NOTED BELOW
- RAINBIRD #1812 POP UP SPRAY HEAD WITH MPR SERIES NOZZLE AS NOTED BELOW
- RAINBIRD PEB SERIES ELECTRIC REMOTE CONTROL VALVE
- RAINBIRD #3RC QUICK COUPLING VALVE
- FERRO 850 SERIES D.C.A. INSTALLED PER CITY CODE
- HUNTER ICC-M SERIES SERIES AUTOMATIC CONTROLLER WITH MINI-CLICK RAIN AND FREEZE SENSOR
- CLASS 200 PVC MAINLINE PIPE
- CLASS 200 (EXCEPT 1/2 INCH #315) PVC LATERAL PIPE
- CLASS 200 SLEEVE PIPES

I.L.C. SHALL SELECT MPR SERIES SPRAY NOZZLES FOR "HEAD-TO-HEAD" COVERAGE. ADJUSTED FOR MINIMUM OVERSPRAY ONTO WALLS AND WALKS. NO OVERSPRAY INTO STREETS IS PERMITTED.

**IDG**  
Ironwood Design  
Group  
of Texas

3002 Brookside Drive  
Cypresswood, Texas 76005  
Phone: (817) 452-5525



The Gables @ NorthHill  
Phase 1  
Murphy, Texas

PROJECT NUMBER  
00000  
DRAWN BY: JEP  
CHECKED BY: RAB  
DATE PREPARED  
12-17-03  
DATE REVISED  
NO COMMENTS

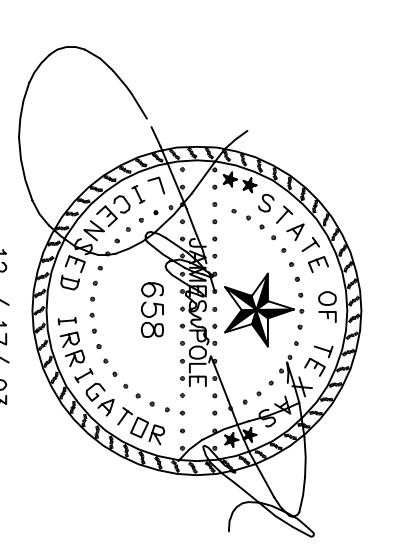
Sheet Title  
IRRIGATION  
PLAN

Sheet Number  
IR-01

**James Pole**  
LANDSCAPE IRRIGATION SPECIALIST

CONSULTING, DESIGN, SPECIFICATIONS  
TEXAS LICENSED IRRIGATOR #658

2815 WOODHAVEN  
DANTON, TEXAS 76209  
PHONE: 940.243.284



12 / 17 / 03